

EXPANDER PINS

Eliminates Machine Pivot Wear

FORTUS

Fortus supply the world-renowned **Expander®** Range of Expander Pins, available through our Australia wide branch and distribution network. As a proven and guaranteed pivot wear solution, Expander Pins are supplied with a **manufacturer 10-year Warranty** and the **Fortus Lifetime Warranty Against Defects** for further peace of mind.

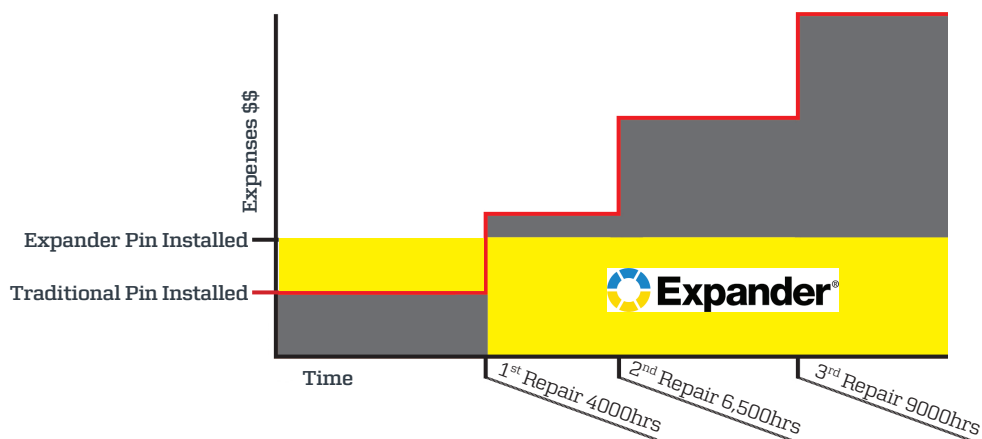
Our Expander Pins are available in a range of sizes ideal for use on equipment such as dump trucks, excavators, backhoes, loaders, dozers, drillers, cranes and skid steers.

Traditional repairs of machines with pivot wear issues, result in higher labour costs, increased downtime and in some instances the pivot wear is so extreme that the machine needs to be completely replaced adding further costs. The Expander Pin System completely eliminates these costs by eliminating pivot wear from ever occurring.

The Expander Pin System is a permanent, guaranteed and cost effective solution to overcoming the age old issue of pivot wear, that's a common place occurrence on machinery in construction, agriculture, mining and quarrying applications.



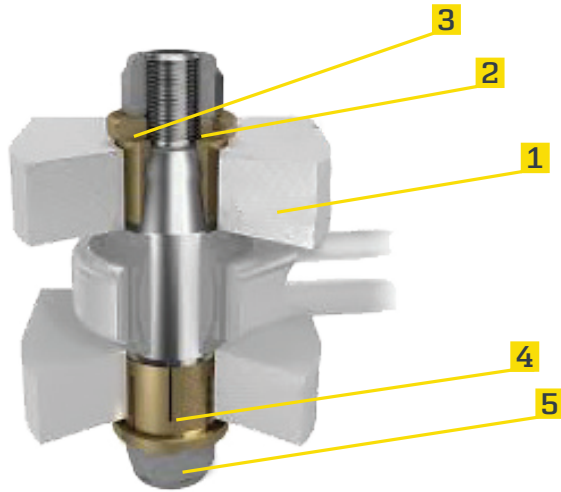
COST SAVING BENEFITS



The cost to repair a pivot wear issue using the Expander Pin System will pay off after just the first 4000hr repair, with all future costs such as on-going repairs and scheduled maintenance eliminated.

In the case of equipment owners where breakdowns can result in downtime, loss of earnings and increased maintenance costs, the Expander Pin System, although more expensive initially, eliminates the long term costs of replacing worn pins, such as welding & line boring, providing a more cost effective solution with better performance, longer service life and uninterrupted operation.

HOW IT WORKS



1. The Expander Pin System is installed directly into pre-existing mounting without the need for labour intensive welding or line boring.
2. The washer presses the sleeve onto the tapered section of the Expander bolt.
3. The sleeve then expands over both ends of the tapered axle and locks securely for a perfect fit, even if the existing holes are worn and uneven.
4. The double-sided locking mechanism provides added safety and stability compared with traditional pivot pins that are only locked on one side. This unique feature helps to build structural integrity for the entire machine pivot.
5. Installation and removal is a quick and easy process compared to traditional pin systems and can be performed on site saving on maintenance costs.

SPECIFICATIONS

Item	Brand	Warranty	Industry	Can be used on the following equipment
Expander Pin System	Expander®	10 years/ 10,000hrs	<ul style="list-style-type: none"> • Quarry • Construction • Mining 	<ul style="list-style-type: none"> • Dump Trucks • Excavators • Backhoes • Loaders • Dozers • Cranes • Drilling Equipment • Skid Steers



Contact Fortus for more information on our range of Expander Pins.



1300 363 969
fortusgroup.com.au

